

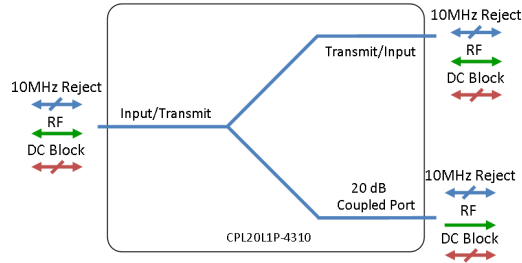


Model Number:
CPL20L1P-4310

RF Components

20dB L-band Proximity Coupler

850 - 2150 MHz



- All RF ports are DC & 10 MHz blocked
- 20dB Coupling

Available with RF connector options:

- 50 Ω SMA
- 50 Ω N-type
- 50 Ω BNC
- 75 Ω BNC
- 75 Ω F-type.



850-2150 MHz
Operating frequency range. L-Band ready



Compact
Housed in rugged compact enclosure



Flexible Mounting
Tapped screw & through hole mounting options

RF Parameters						
CPL20L1P-4310	S5S5S5	N5N5N5	B5B5B5	B7B7B7	F7F7F7	
Frequency Range	850 – 2150 MHz					
RF Connectors	50Ω SMA	50Ω N-Type	50Ω BNC	75Ω BNC	75Ω F-Type	
Through Path :						
Mean Insertion Loss (dB)	1.0 ± 0.2	1.0 ± 0.2	1.0 ± 0.3	1.2 ± 0.4	1.2 ± 0.4	
Flatness (dB)	± 0.2	± 0.2	± 0.2	± 0.4	± 0.4	
Input Return Loss (dB)	Typ	20	18	18	15	15
	Min	15	14	14	13	13
Output Return Loss (dB)	Typ	16	16	15	15	15
	Min	13	13	12	12	12
Coupled Port :						
Coupling Factor	Typ	20 ± 0.5	20 ± 0.5	20 ± 0.5	20 ± 0.8	20 ± 0.8
Flatness (dB)	Typ	± 0.2	± 0.2	± 0.3	± 0.4	± 0.4
Return Loss (dB)	Typ	18	18	18	15	15
	Min	15	15	14	13	13
10MHz Insertion Loss is up to 3dB above the theoretical loss* 10MHz Rejection is 20dB* *To ports which are applicable						

Broadcast



Marine Oil & Gas



SNG & VSAT



Satellite Teleport





RF Components

Model Number:
CPL20L1P-4310
20dB L-band Proximity Coupler

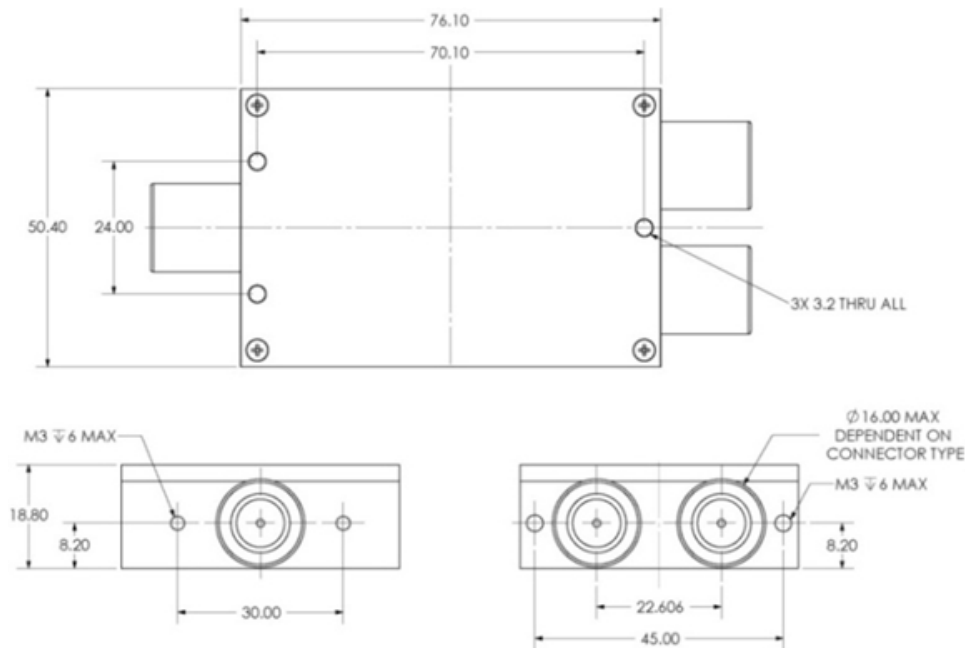
Technical specifications and operating parameters

Environmental		
Operating Temperature		0°C to +45°C
Storage Temperature		-20°C to +75°C
Location		Indoor use Only
Humidity	Max	85% non-condensing
Altitude	Max	10,000 feet

Max Operating Parameters	
Input RF Power	+37 dBm (5W)
DC Voltage	50V on any RF port
DC Current	5A

! Operation beyond these limits may cause instantaneous and permanent damage.

Physical Dimensions (mm)



Note: The specification is subject to regular reviews and will be updated from time to time as part of our continuing product development and improved specification accuracy.

ETL SYSTEMS LIMITED
Coldwell Radio Station
Madley
Hereford
England HR2 9NE

TELEPHONE
+44 (0)1981 259020

EMAIL
info@etlsystems.com

FACSIMILE
+44 (0)1981 259021

WEB
www.etlsystems.com

